



C-TRX82096-4-BLK/BLUE TRX-4 Crawler Mercedes G500 Black / Blue

The TRX-4 debuts a new precision-moulded Mercedes G 500 4X4² body replicated down to the smallest detail. Chrome exhaust pipes and grille, side molding, and precisely replicated LED-ready lenses capture the full-size truck with replica 5-spoke wheels riding on portal axles. The G 500 4X4² comes loaded with all the great TRX-4 features and a painted body in either metallic blue or black.

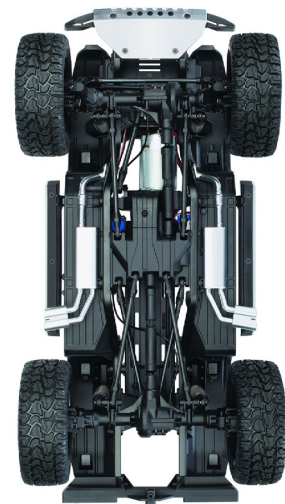


FEATURES

- Highly-detailed Mercedes G 500 4X4² replica body
- Unique 5-spoke wheels
- Includes front and rear LED-ready lenses
- Remotely-locking front and rear differentials
- 2-speed high/low transmission
- Portal axles
- Metal-gear steering servo

NEEDED TO COMPLETE

- Requires battery and charger



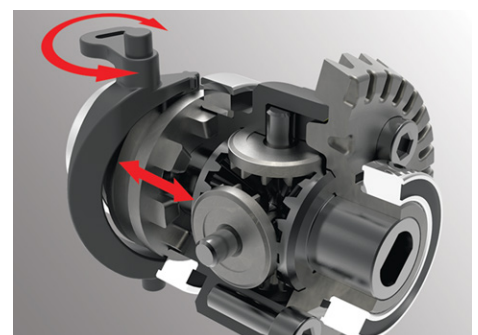
Built the Traxxas way, the TRX-4 is rugged, powerful, and ready for fun on the trail or the crawling course. Remotely locking differentials, steep approach angles, and industry-first portal axles provide bona fide crawling credentials. Revolutionary Cruise Control and remotely operated high/low transmission make it a blast to drive on the trail. Why compromise when the TRX-4 Scale and Trail crawler lets you have it all?



Powerful Portal Axles
Traxxas



Detailed G 500 Body



Unbeatable Capability